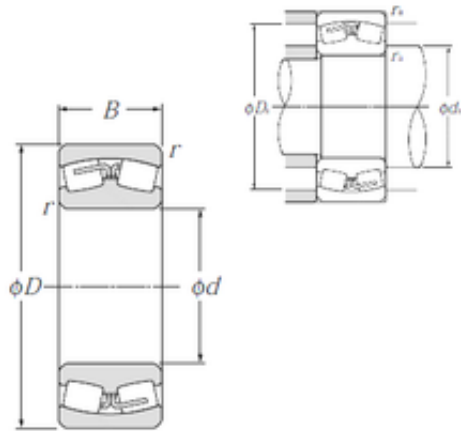




China 6206 Bearing Supplier

24032C NTN Spherical Roller Bearings



Bearing No. 24032C

Size	160x240x80 mm
Bore Diameter	160 mm
Outer Diameter	240 mm
Width	80 mm
d	160 mm
D	240 mm
B	80 mm
C	80 mm
r min.	2,1 mm
da min.	172 mm
Da max.	228 mm
ra max.	2 mm
Weight	12 Kg
Basic dynamic load rating (C)	665 kN
Basic static load rating (C0)	1 250 kN
(Grease) Lubrication Speed	1 300 r/min
(Oil) Lubrication Speed	1 700 r/min
Calculation factor (e)	0,31
Calculation factor (Y0)	2,13
Calculation factor (Y1)	2,18

24032C Bearing 2D drawings and 3D CAD models