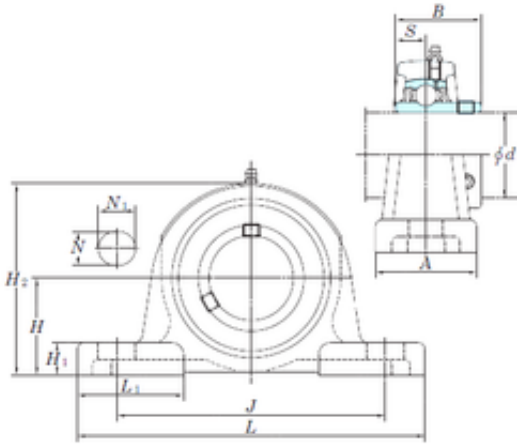




China 6206 Bearing Supplier



UCP201 Bearing 2D drawings and 3D CAD models

Asahi NTN Koyo NSK SKF Timken Brand Pillow Block Bearing UCP201 P202 P203 P204 P205

Bearing No. UCP201

Bore Diameter	12 mm
Width	31 mm
d	12 mm
A	38 mm
B	31 mm
H	30,2 mm
H1	12 mm
H2	60 mm
J	95 mm
L	127 mm
L1	38 mm
N	13 mm
N1	18 mm
S	12,7 mm
Bolt (G)	M10
Weight	0,63 Kg
Basic dynamic load rating (C)	12,8 kN
Basic static load rating (C0)	6,65 kN
Bearing No.	UCP201
Bolt size	M10
Cr	12.8
C0r	6.65
f0	13.2
(Refer.)Unit mass(kg)	0.63



China 6206 Bearing Supplier

Nipple size	1/4-28UNF
-------------	-----------