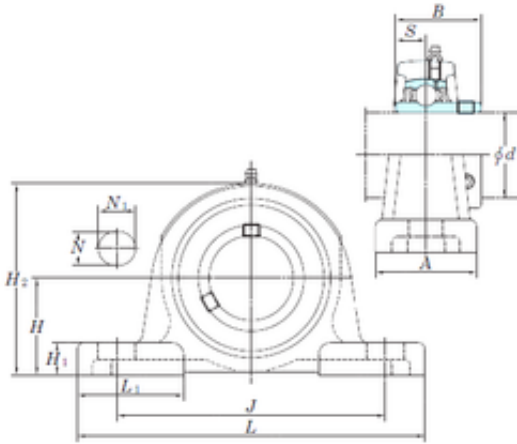




China 6206 Bearing Supplier



NSK NTN Asahi Koyo Pillow Block Bearing Textile Machinery Bearings Housings UCP208 P209 P210 Bearing

Bearing No. UCP208

Bore Diameter	40 mm
Width	49,2 mm
d	40 mm
A	54 mm
B	49,2 mm
H	49,2 mm
H1	17 mm
H2	98 mm
J	137 mm
L	184 mm
L1	57 mm
N	17 mm
N1	21 mm
S	19 mm
Bolt (G)	M14
Weight	2 Kg
Basic dynamic load rating (C)	29,1 kN
Basic static load rating (C0)	17,8 kN
Bearing No.	UCP208
Bolt size	M14
Cr	29.1
C0r	17.8
f0	14.0
(Refer.) Unit mass(kg)	2.0

UCP208 Bearing 2D drawings and 3D CAD models



China 6206 Bearing Supplier

Nipple size	1/4-28UNF
-------------	-----------